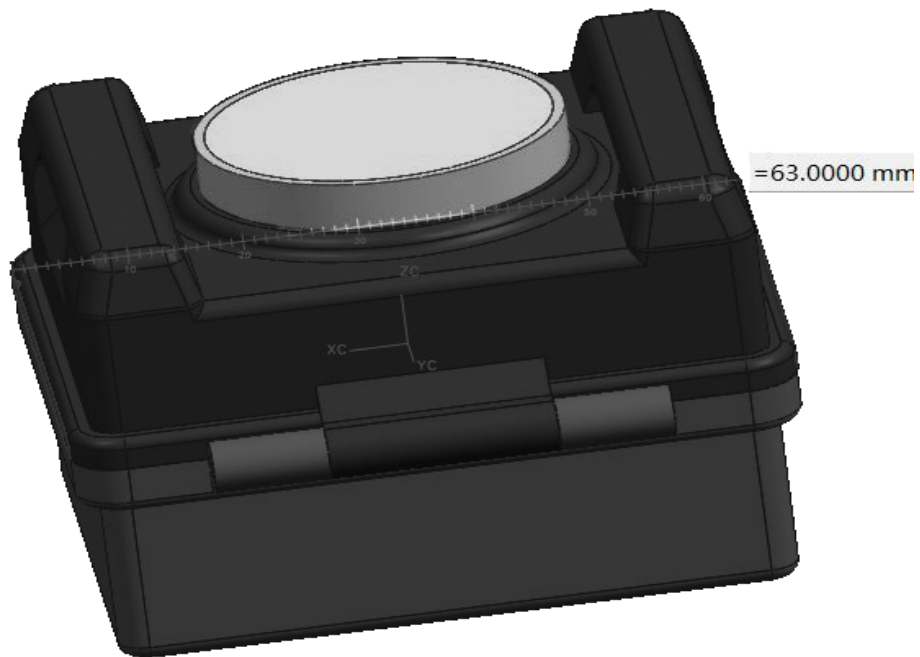


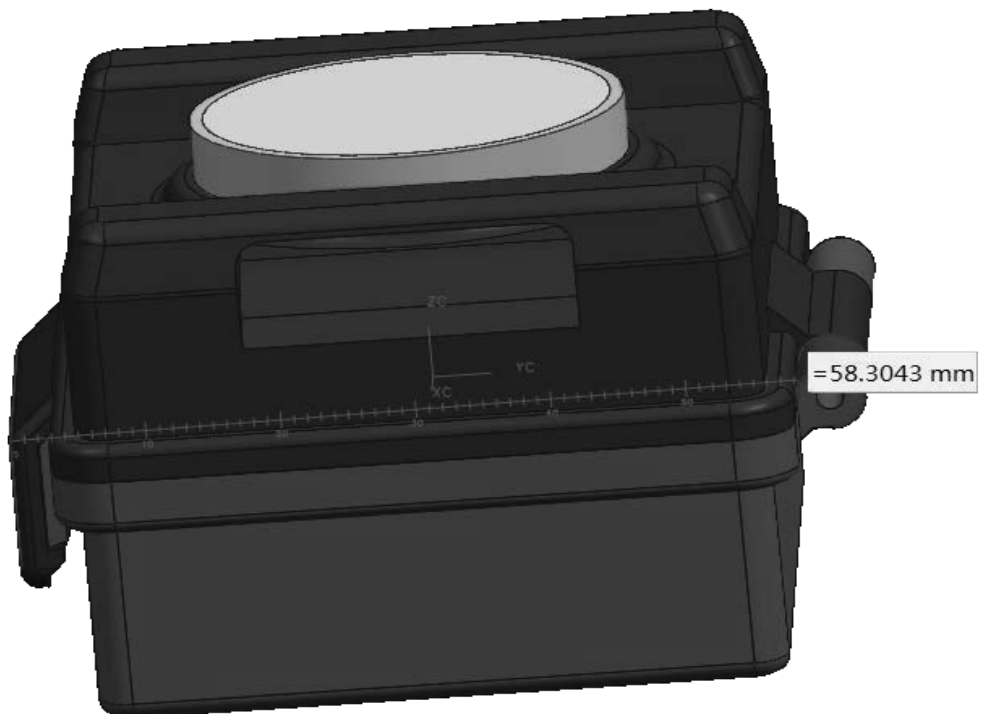
Trackimo Waterproof with Magnet box V2 spec

Product Size: 63mm*58.5mm*42.5mm

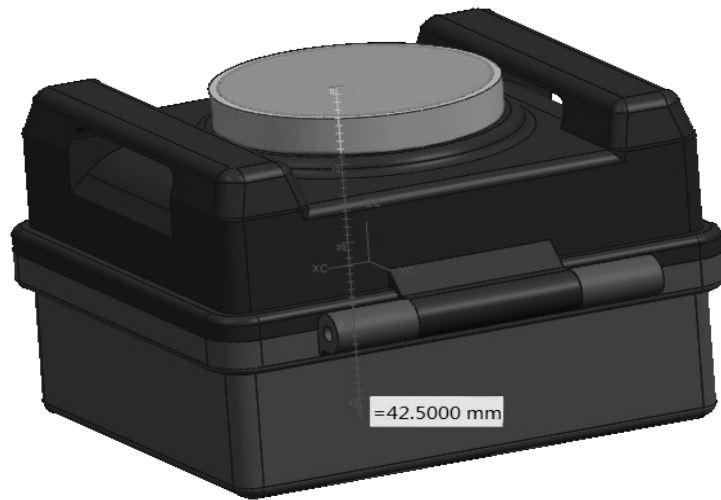
Weight: about 150g



Length



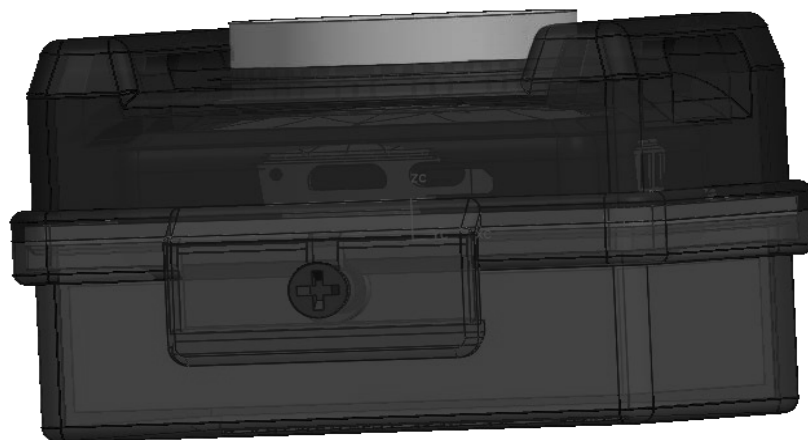
Width



Height



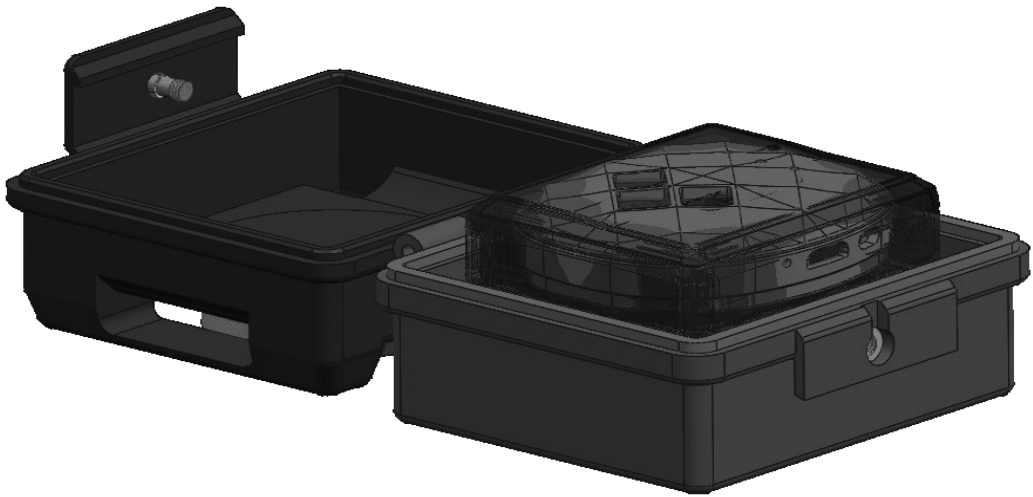
Bottom view logo



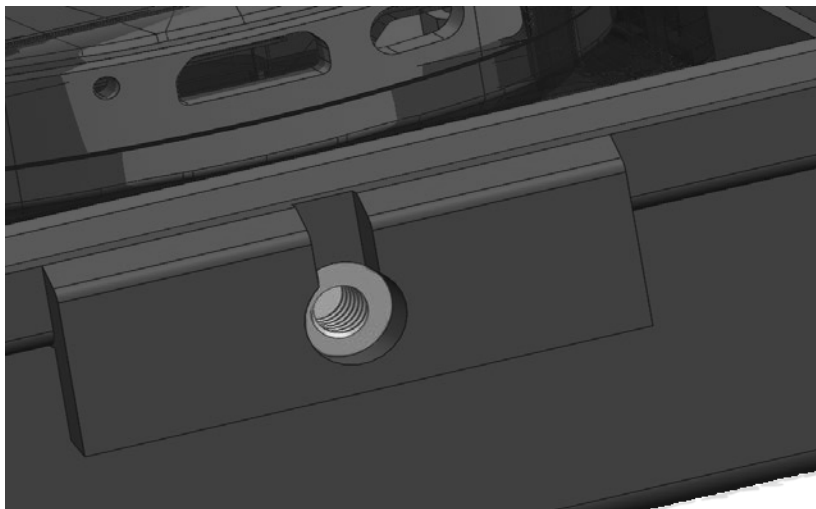
Front transparent view



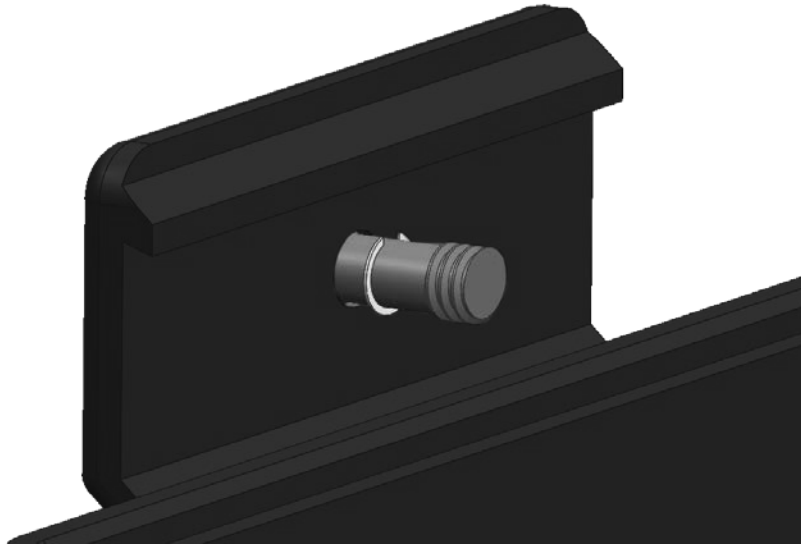
Inside



Two projects(UN 2G and Midi) Compatible



Screw detail 1



Screw detail 2